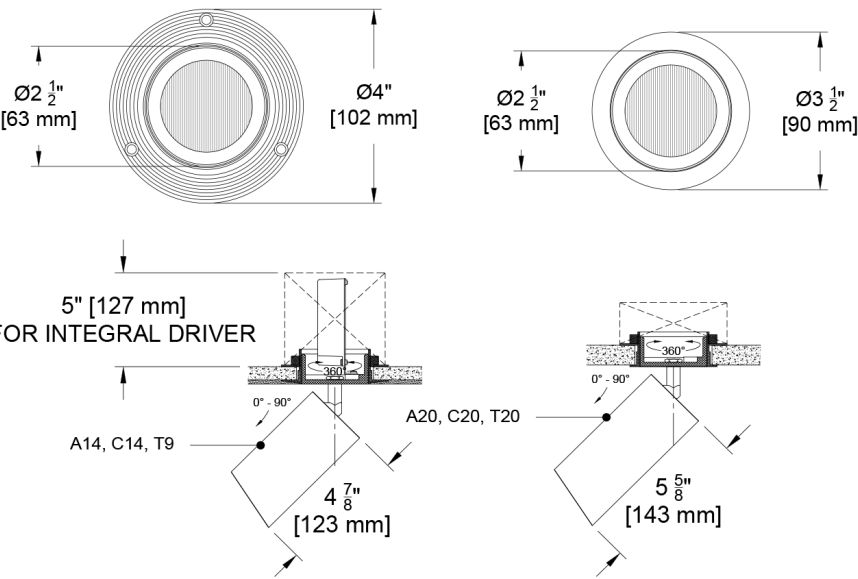
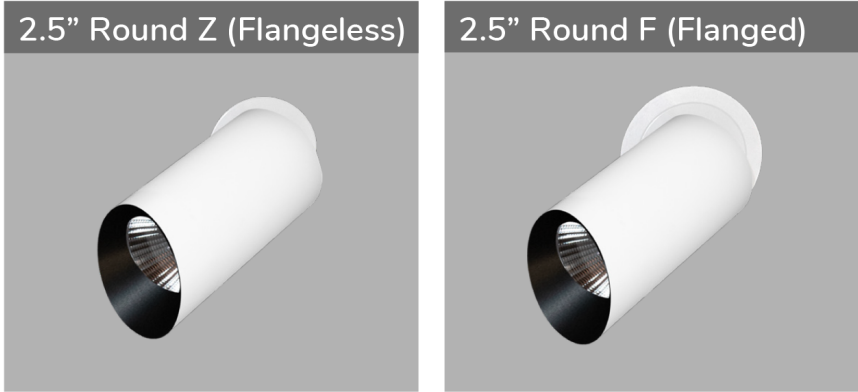


# Scope Original- Wall Wash

The Scope Monopoint offers several standard mounting conditions, the system is highly flexible and facilitates modifications. If you need a mounting condition you don't see, just ask. The Monopoint offers most of the same sources and drivers as it's downlight kin allowing flawless transition from recessed to exposed fixtures. Last but not least, the aluminum components, machined in New Jersey, allow for powder coat painting or anodize, opening our full pallet of 40 standard finishes plus the option for RAL# or custom paint match.



PROJECT: \_\_\_\_\_ TYPE: \_\_\_\_\_  
 SPECIFIER: \_\_\_\_\_ DATE: \_\_\_\_\_

### Key Points (SCOM-RA.)

#### Housing

- usCSA listed to UL 1598 - damp rated
- Precision CNC machined aluminum in New Jersey
- 40 finish options + Custom/RAL#
- Multiple mounting options, including sloped ceilings
- Flanged (can be used in wood or GWB), Flangeless, or Panel Trim (millwork)
- Adjustable 360° degree rotation and 90° degree tilt

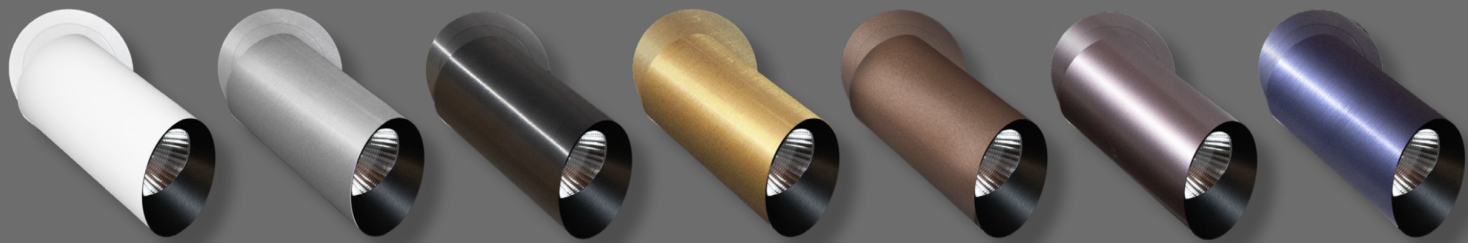
#### Source / Optics

- 2400, 2700, 3000, 3500, 4000K
- AmbientDim™, RGBW & Tunable White options
- 90+ CRI, 60+ R9 Standard, 95+ CRI, 90+ R9 available with Ambient Dim option
- <2 MacAdams Ellipses (<2 SDCM) for fixed white
- Up to 1307 delivered lumens
- 2 options for tunable white - 2700k to 6500k and 1800k to 4000k
- Compliant to with Airtight Housing
- [View Photometry](#)

#### Driver / Control

- Drivers integral with fixture in some mounting options - see drawings
- TruPhase™, 0-10, DALI-2, DMX, Ecosystem or Wireless Control
- Flicker free to IEEE 1789-2015 available with EldoLED and TruPhase™selection
- Universal 120-277v

Sample Finish Options - See finish guide for full spectrum of colors



# Ordering Codes

PROJECT:

SPECIFIER:

DATE:

TYPE:

QUANTITY:

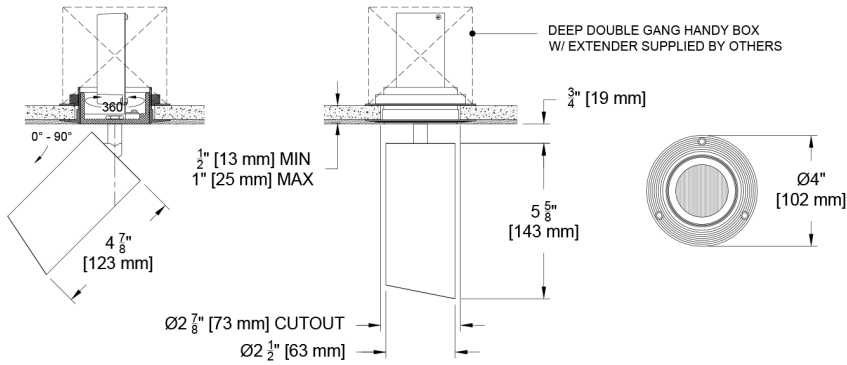
Ordering Code Example: SCOM-RA-F-SM-C14-30-35-WW-C1-A01-91L

FIXTURE	TRIM	MOUNTING	SOURCE / WATTS	CCT	BEAM	DRIVER / CONTROL	HEAD FINISH	ACCESSORIES
<p>SCOM-RA.</p> <p>Scope Original 2.5" Mono-point - Round - Wall Wash</p>	<p>Standard (2.5")</p> <p>F Flanged Trim</p> <p>Z Flangeless Trim</p> <p>Canopy (4")</p> <p>CP Canopy Plate for use with 4" Diameter Pancake Box/Octagonal Box</p>	<p>SM * † Surface Mount</p> <p>SMR ^ Δ Surface Mount</p> <p>SMHS - Surface Mount * † w/ Hang Straight</p> <p>SCSMR Sloped Ceiling Surface Mount ^ Δ w/ Hang Straight</p> <p>SMLJB - Surface Mount † Large Junction Box</p> <p>PM Panel Mount * †</p> <p>PMR ^ Δ Panel Mount</p> <p>SCPM ^ † Sloped Wood Ceiling Panel Mount</p> <p>SCPMR ^ Δ Sloped Ceiling Panel Mount furnished with Hang Straight</p> <p>CM Δ Canopy Mount</p> <p>Retro-fit Installation</p> <p>SHM Δ Shallow Surface Mount</p> <p>Shallow Panel Installation</p> <p>SHPM Δ Shallow Panel Mount</p> <p>* Deep double gang Handy box supplied by others for driver enclosure ^ Double gang Handy box supplied by others for fixture mount and low voltage wiring † Integral Driver Δ Remote Driver # - Bracket Pan available - Add #BP after mounting option</p>	<p>Citizen</p> <p>C14 ● ● 14W 1292Lm* 90+CRI, 60+R9</p> <p>C20 ● ● 21W 1422Lm** 90+CRI, 60+R9</p> <p>Tunable</p> <p>T20 ● ● 21W 1490Lm^ 90+CRI, 60+R9 Tunable White</p> <p>RGBW 90+CRI, 60+R9</p> <p>T7 ● ● 10W 90+CRI, 70+R9 Tunable White</p> <p>T14 90+CRI, 60+R9 Tunable White</p> <p>Ambient Dim™</p> <p>A14 ● ● 15W 851Lm* 95+CRI, 90+R9</p> <p>A20 ● ● 15W 858Lm 95+CRI, 90+R9</p> <p>● ● Supports CA Title 24 compliance to JA8 requirements (except 1840 20° and 40°) <a href="#">View Photometry</a></p>	<p>24 2400K</p> <p>27 2700K</p> <p>30 3000K</p> <p>35 3500K</p> <p>40 4000K</p> <p>Tunable</p> <p>TW1840 1800-4000K Tunable White w/ E1, E2, E3, E4</p> <p>TW2765 ● ● 2700-6500K Tunable White w/ E1, E2, E3, E4</p> <p>RG1280 1200-8000K RGBW Dynamic Color Changing *Requires E2 or E4</p> <p>Ambient Dim™</p> <p>2722 2700-2200K *A14 Only</p> <p>3019 3000-1900K</p> <p>3022 3000-2200K *A14 Only</p>	<p>WW Wall Wash</p>	<p>C1 0-10 1.0%, UNV (120-277V) linear</p> <p>C2 ELV/Triac 1.0%, (120-277V) linear</p> <p>E1 0-10 0.1%, UNV (120-277V) log</p> <p>E2 DALI-2 0.1%, UNV (120-277V) log</p> <p>E3 0-10 0.1%, UNV (120-277V) linear</p> <p>E4^ DMX 0.1%, UNV (120-277V) Universal DMX Driver/Controller RGBW-DMX ^ INCLUDES DMX/RDM COMPATIBLE DRIVER WITH BUILT-IN DECODER - CONTROLLER BY OTHERS</p> <p>TR2 TruPhase™ 0.1%, (120-120V) log Up to 20W Forward and Reverse compatible Phase Dimming Static White &amp; Ambient Dim only</p> <p>LD Digital Ecosystem* 1.0%, UNV (120-277V) ECO Hi-Lume SoftOn/Fade-to-Black LDE1 * Requires remote mounting ^integral driver standard, remote optional</p>	<p>AM01 Black Matte Anodize^</p> <p>AMXX Specialty Matte Anodize Color^</p> <p>AM1-AM36</p> <p>A32 Clear Anodize^</p> <p>AXX Specialty Anodize Color^</p> <p>A1-A36</p> <p>W White Paint^</p> <p>PXX Specialty Paint Color^</p> <p>P01-P15</p> <p>B05 Satin Brass^</p> <p>BXX Brass Finishes^</p> <p>B01-B07</p> <p>^Stem comes in selected color * See Finish Guide</p>	<p>Other</p> <p>STM Stem standard length 3/4" For custom size, indicate in inches</p> <p>EM Emergency Pack</p> <p>Controls</p> <p>LR Lutron Wireless RF PowPak</p> <p>ATH Lutron Athena Wireless Node Must be used with E2 driver (DALI-2)</p> <p>CA Casambi Wireless BLE to be paired with driver</p>

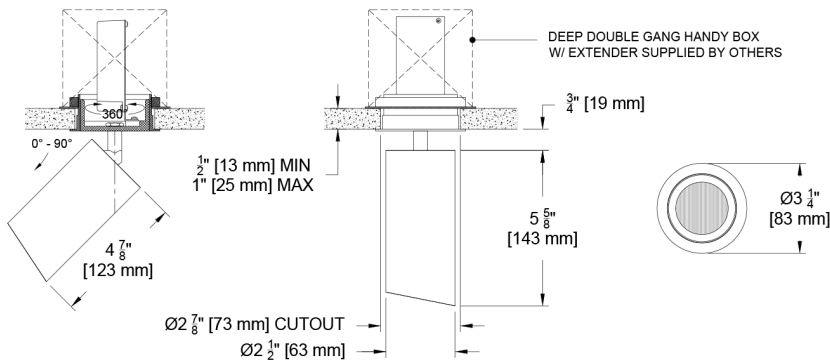


# Ceiling Cutouts and Dimensions

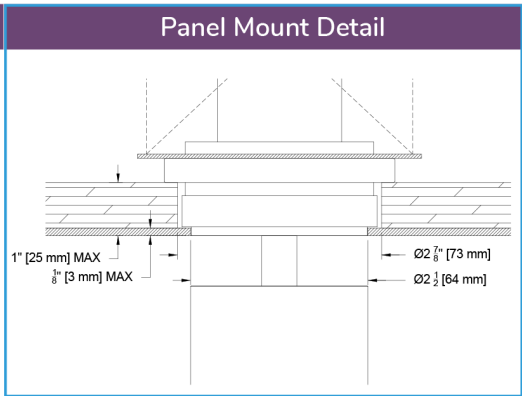
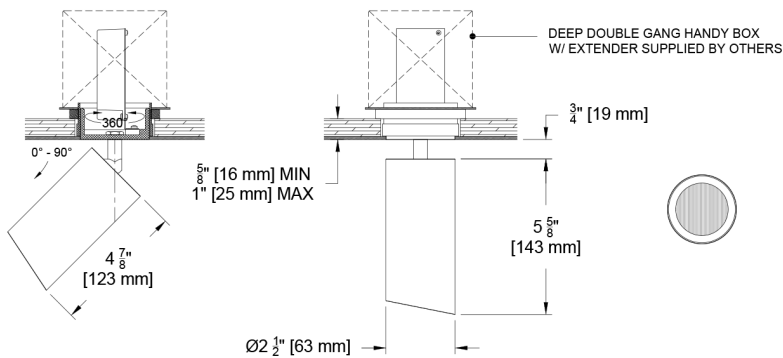
Flangeless Monopoint (Integral Driver)	Plaster Surface Mount (SM)	Integral Driver
(SCOM-RA-Z-SM-)		See <i>Integral Driver Detail</i> page for recessed depth and j-box configurations by driver type.



Flanged Monopoint (Integral Driver)	Flanged Surface Mount (SM)
(SCOM-RA-F-SM-)	



Flangeless Monopoint (Integral Driver)	Panel Mount (PM)	Panel Mount Detail
(SCOM-RA-Z-PM-)		

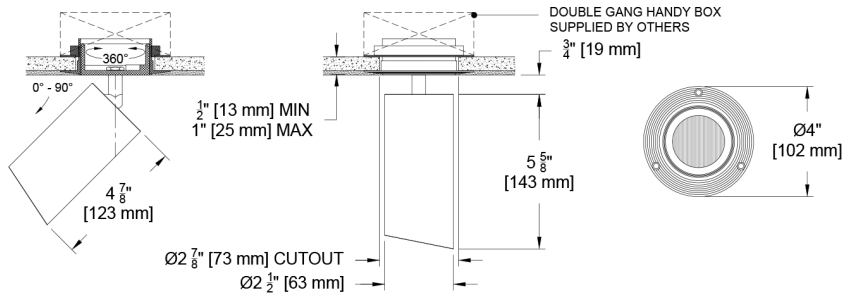


# Ceiling Cutouts and Dimensions

## Flangeless Monopoint (Remote Driver)

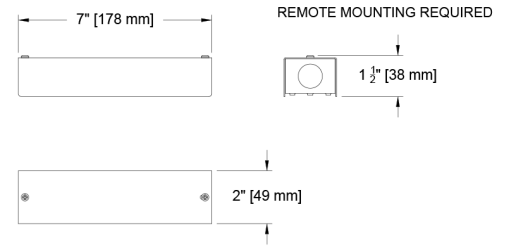
## Plaster Surface Mount (SMR)

(SCOM-RA-Z-SMR-)



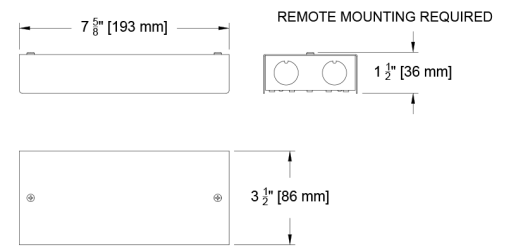
## Remote Driver Box

for E1, E2, E3, C1, C2, TR2



## Remote Driver Box

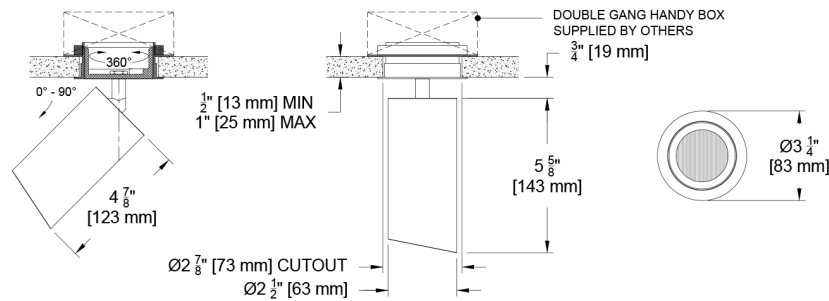
for E4, LD



## Flangeless Monopoint (Remote Driver)

## Flanged Surface Mount (SMR)

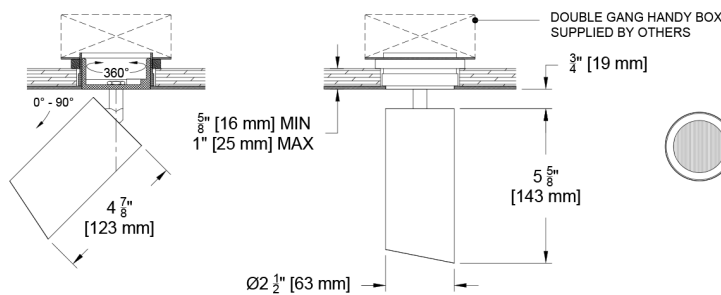
(SCOM-RA-F-SMR-)



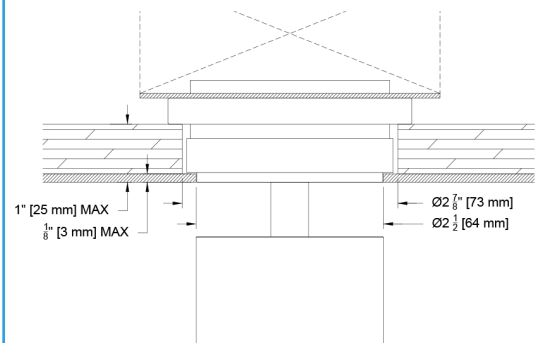
## Flangeless Monopoint (Remote Driver)

## Panel Mount (PMR)

(SCOM-RA-Z-PMR-)



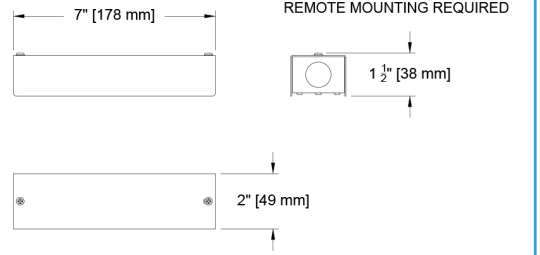
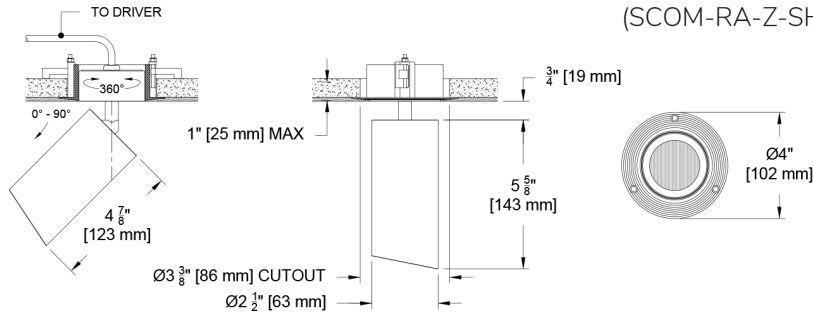
## Panel Mount Detail



# Ceiling Cutouts and Dimensions

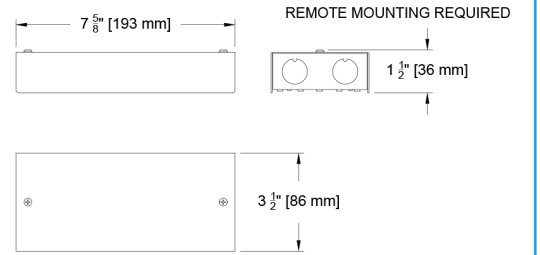
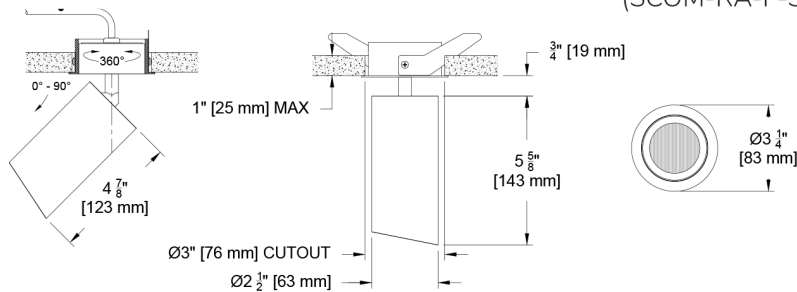
**Flangeless Monopoint (Remote Driver)** | **Plaster Retro-fit / Shallow Surface Mount (SHM)** | **Remote Driver Box** for E1, E2, E3, C1, C2, TR2

(SCOM-RA-Z-SHM-)



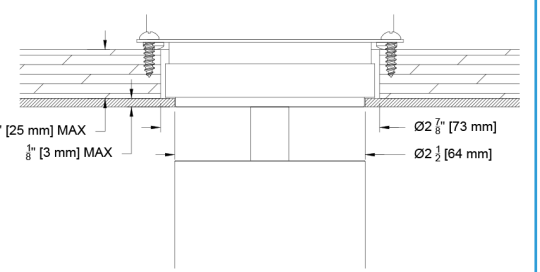
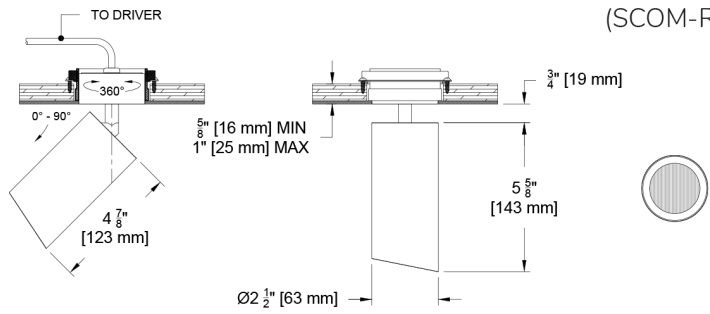
**Flanged Monopoint (Remote Driver)** | **Flanged Retro-fit / Shallow Surface Mount (SHM)**

(SCOM-RA-F-SHM-)



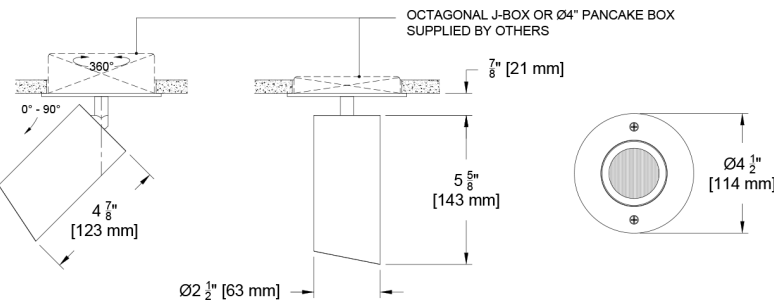
**Flangeless Monopoint (Remote Driver)** | **Panel Mount Retro-fit / Shallow Panel Mount (SHPM)** | **Panel Mount Detail**

(SCOM-RA-Z-SHPM-)



**Canopy Plate (Remote Driver)** | **Canopy Mount (CP-CM)**

(SCOM-RA-CP-CM-)

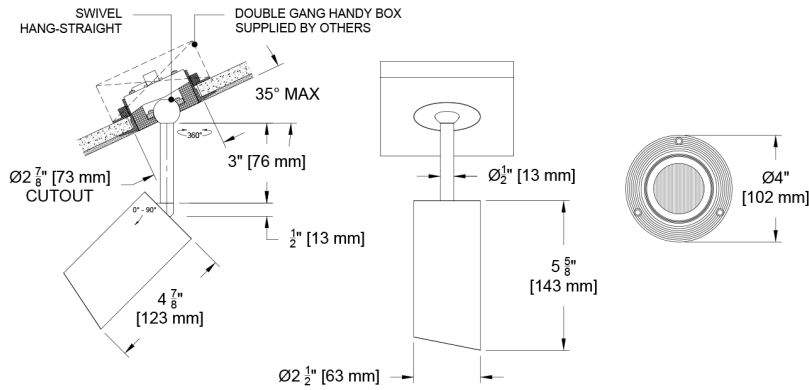


# Ceiling Cutouts and Dimensions

## Flangeless Monopoint (Remote Driver)

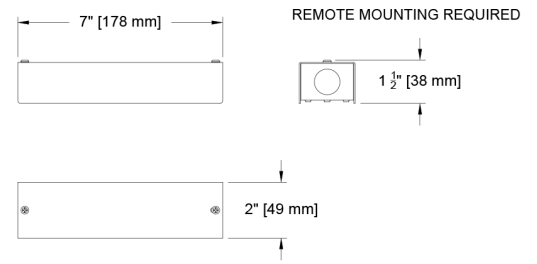
## Plaster Surface Mount Sloped Ceiling Remote Driver (SCSMR)

(SCOM-RA-Z-SCSMR-)



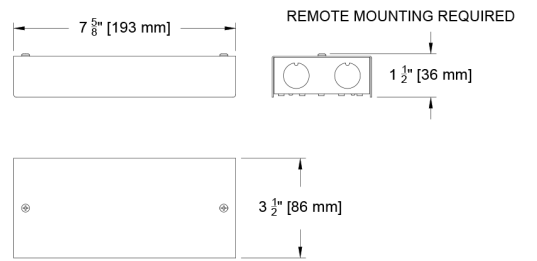
## Remote Driver Box

for E1, E2, E3, C1, C2, TR2



## Remote Driver Box

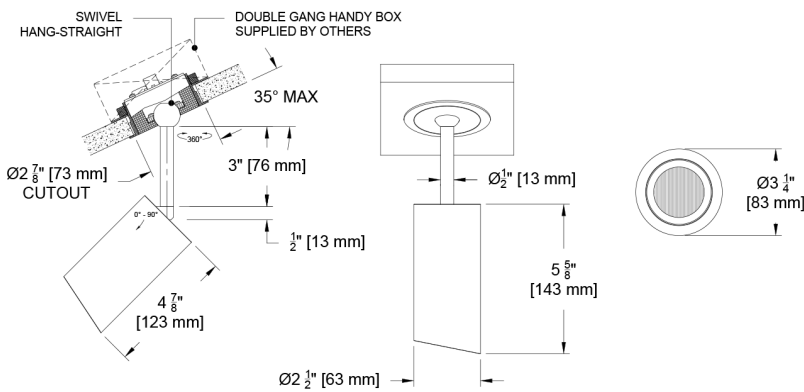
for E4, LD



## Flanged Monopoint (Remote Driver)

## Flanged Surface Mount Sloped Ceiling Remote Driver (SCSMR)

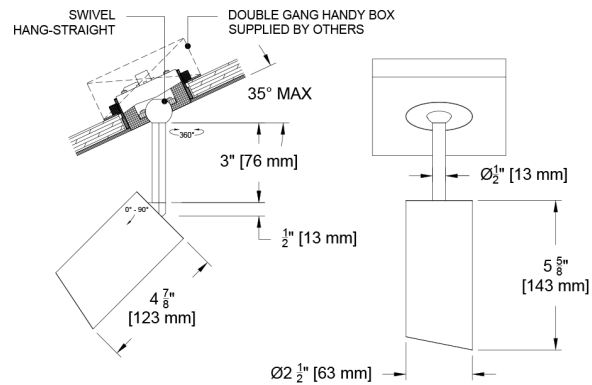
(SCOM-RA-F-SCSMR-)



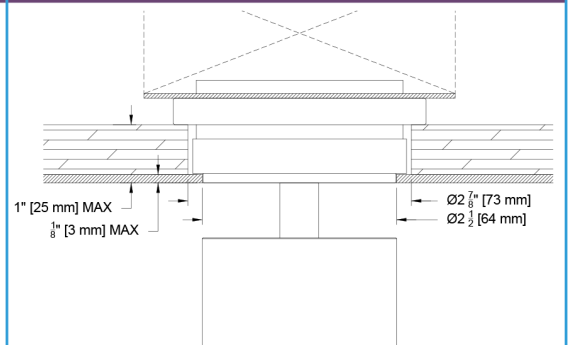
## Flangeless Monopoint (Remote Driver)

## Panel Mount Sloped Ceiling Remote Driver (SCPMR)

(SCOM-RA-Z-SCPMR-)



## Panel Mount Detail

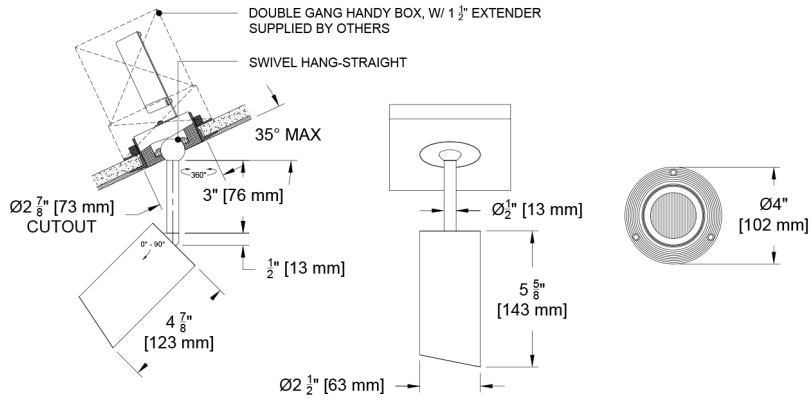


# Ceiling Cutouts and Dimensions

## Flangeless Monopoint (Integral Driver)

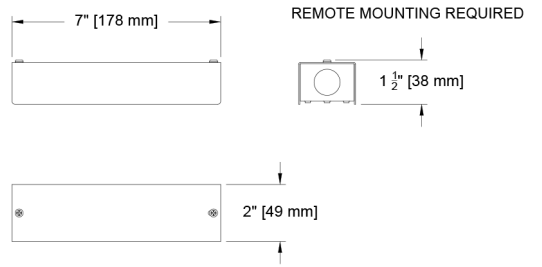
## Plaster Surface Mount Sloped Ceiling Integral Driver (SCSMR-)

(SCOM-RA-Z-SCSMR-)



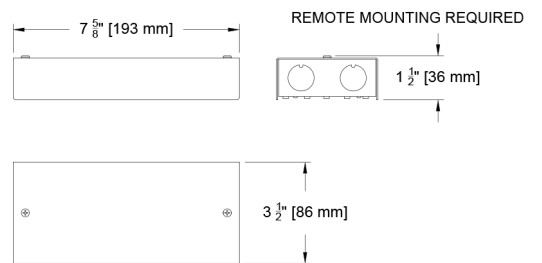
## Remote Driver Box

for E1, E2, E3, C1, C2, TR2



## Remote Driver Box

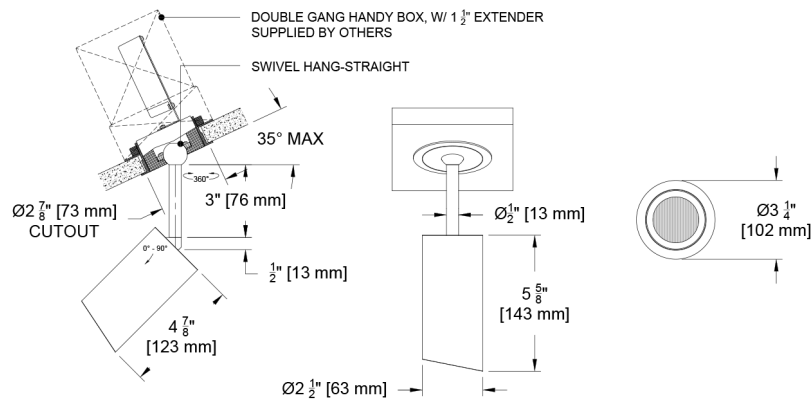
for E4, LD



## Flanged Monopoint (Integral Driver)

## Flanged Surface Mount Sloped Ceiling Integral Driver (SCSMR-)

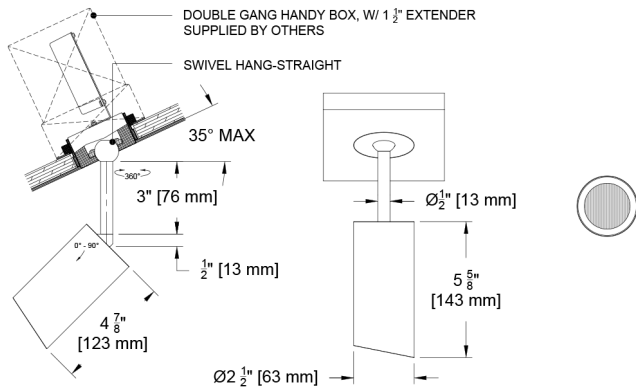
(SCOM-RA-F-SCSMR-)



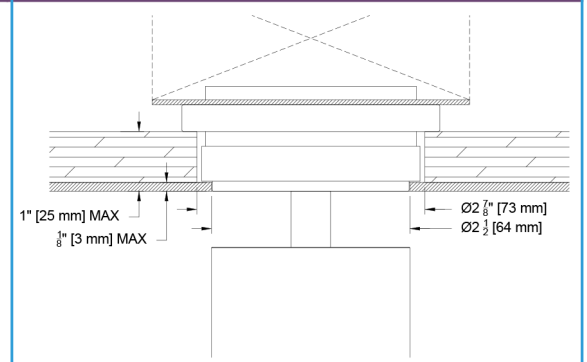
## Flangeless Monopoint (Integral Driver)

## Panel Mount Sloped Ceiling Integral Driver (SCPMR-)

(SCOM-RA-Z-SCPMR-)



## Panel Mount Detail

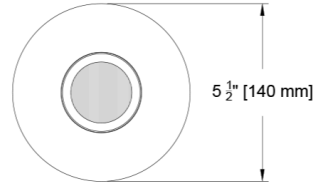
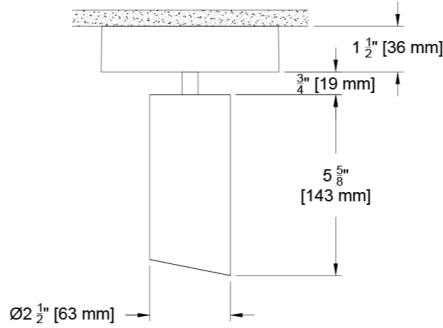
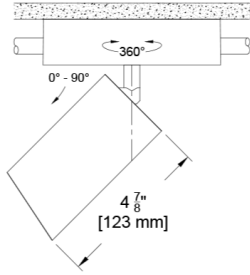


# Ceiling Cutouts and Dimensions

Surface Mount (Integral Driver)

Large J-Box

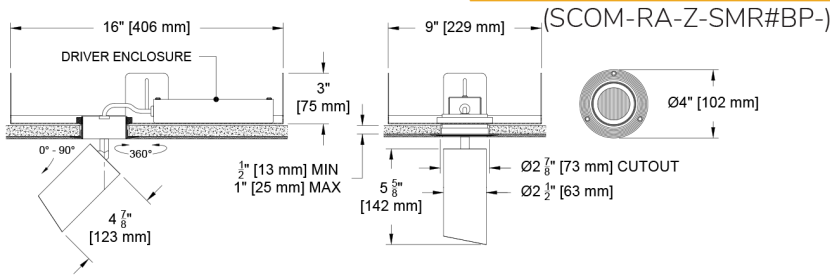
(SCOM-RA-Z-SMLJB-)



# Ceiling Cutouts and Dimensions

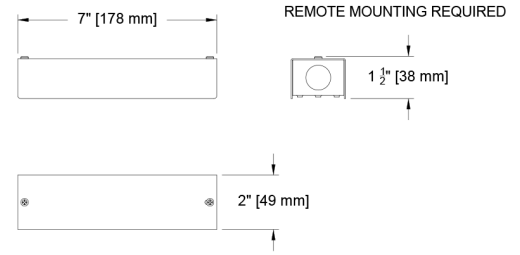
## Flangeless Monopoint (Integral Driver)

## Plaster Surface Mount (SMR) Bracket Pan (#BP)



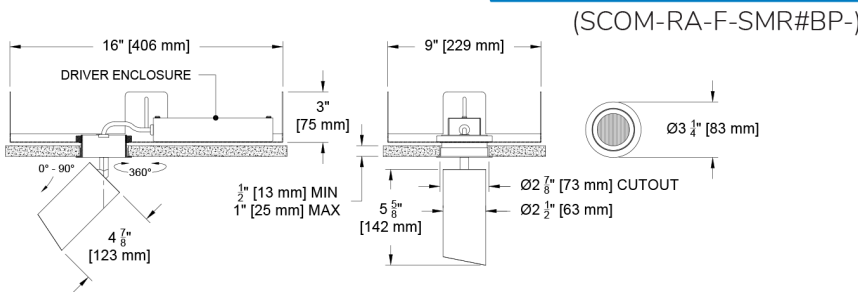
## Remote Driver Box

for E1, E2, E3, C1, C2, TR2



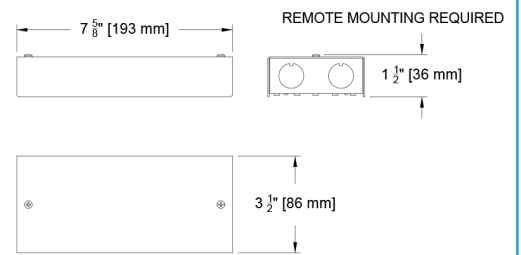
## Flanged Monopoint (Integral Driver)

## Flanged Surface Mount (SMR) Bracket Pan (#BP)



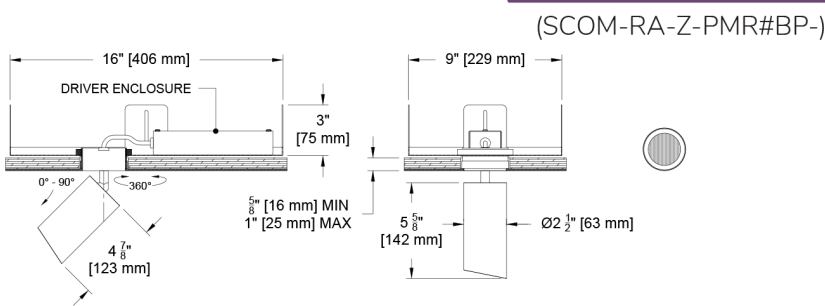
## Remote Driver Box

for E4, LD

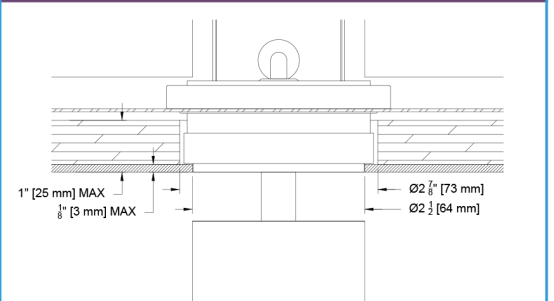


## Flangeless Monopoint (Integral Driver)

## Panel Mount (PMR) Bracket Pan (#BP)

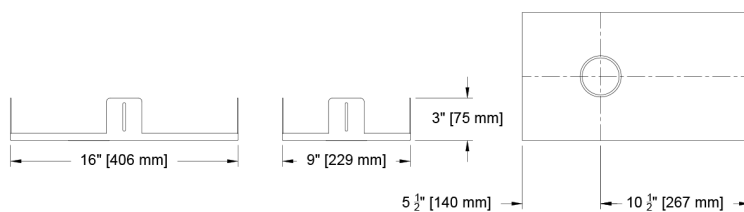


## Panel Mount Detail

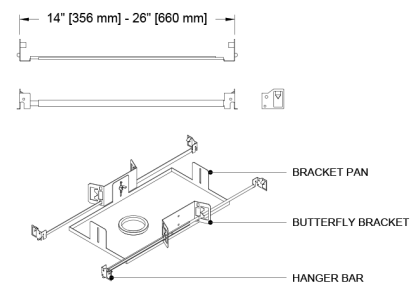


## Bracket Pan Detail

BP



## Bracket Pan Mounting Detail

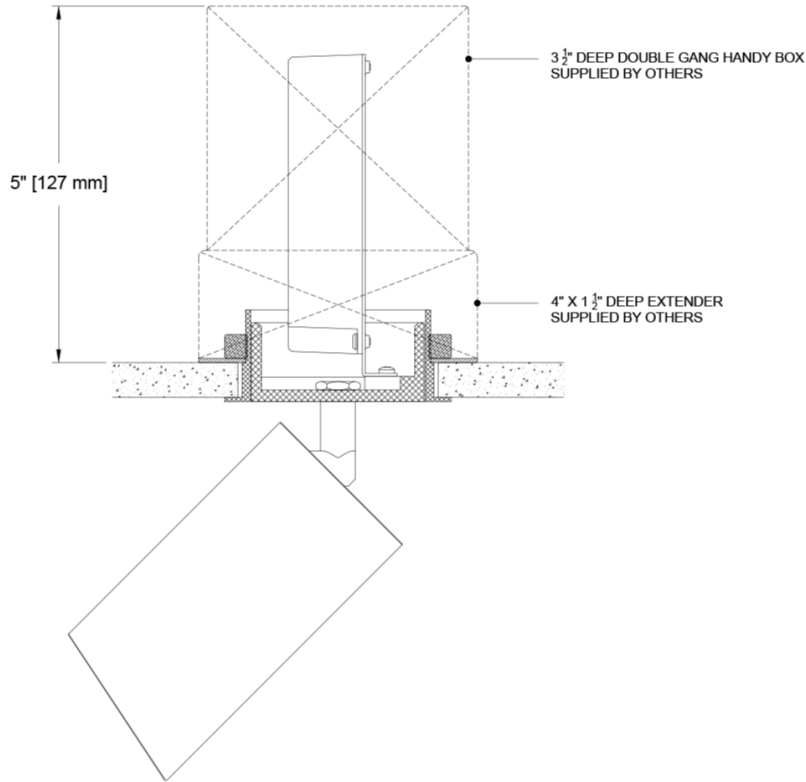


# Integral Driver Detail

J-Box Configurations by Driver Type

## Integral Driver J-Box Configuration

E1, E2, E3, C1, C2 Drivers

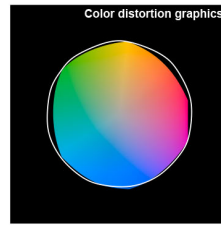
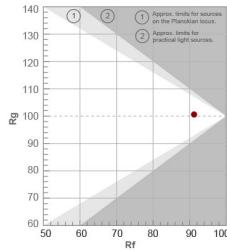
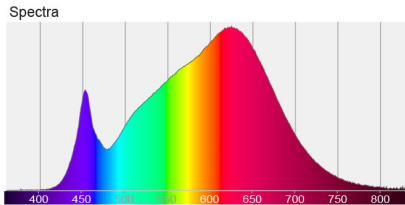
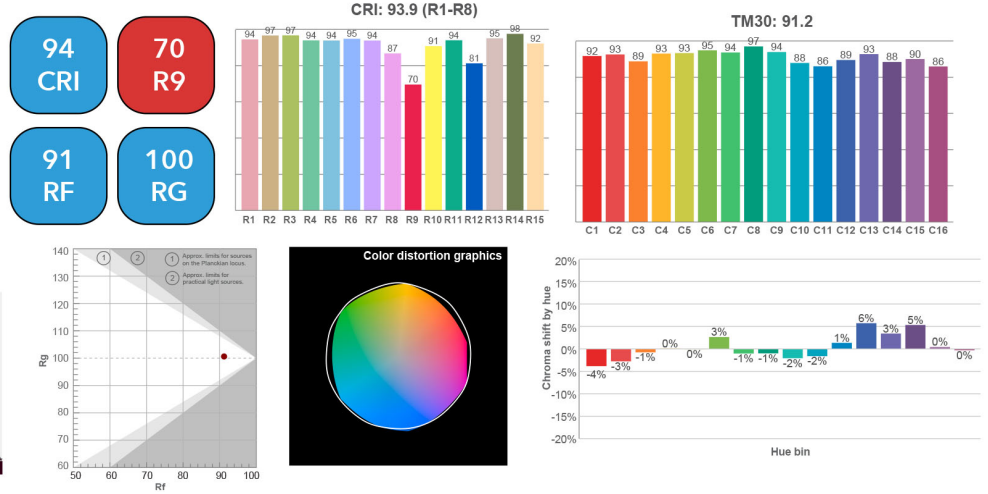


# Color Data

All data below are delivered lumens. Color and flux information based on goniometer measurements of production representative product. All values can vary +/- 10% from LED manufacturer data range as listed on their datasheet.

## Citizen Source C14, C20

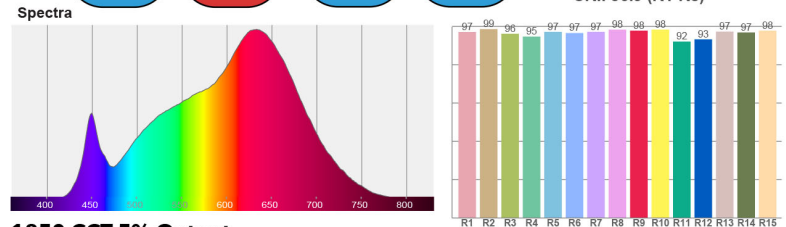
- <2 MacAdam Ellipse (<2 SDCM)
- 90+ CRI and RF
- 60+R9, Hue Bin 1



## Ambient Dim Source A14 (AD - 3000k to 1900k)

- <3 MacAdam Ellipse (<3 SDCM)
- 95+ CRI and RF
- 90+R9, Hue Bin 1
- Follows Black Body Locus through dimming range

### 3000 CCT Full Output



### 1850 CCT 5% Output

